

CHATHAM COUNTY PURCHASING DEPARTMENT

ADDENDUM NO. 2 TO BID #20-0005-5

FOR: INDOOR POOL RESURFACING AT THE CHATHAM COUNTY AQUATIC CENTER

PLEASE SEE THE FOLLOWING ADDITIONS, CLARIFICATIONS AND/OR CHANGES:

1. **Addition:** In response to question number four (4) on Addendum one (1), please see specifications for the removal and replacement of the cup anchors:

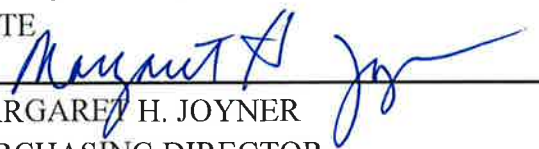
Contractor is responsible for removal of existing cup anchors and replacement with Perma-Cast bronze cup anchors with removable eyebolt. Contractor is to use manufacturers recommended installation instructions to ensure a secure, grounded cup anchor. The Chatham County Aquatic Center will provide the cup anchors. Attached to this addendum is the specifications of the cup anchor.

**BID DUE DATE WILL REMAIN 2:00PM
FEBRUARY 18, 2020**

BIDDER IS RESPONSIBLE FOR MAKING THE NECESSARY CHANGES.

February 12, 2020

DATE

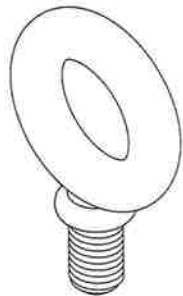

MARGARET H. JOYNER
PURCHASING DIRECTOR
CHATHAM COUNTY



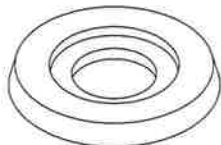
Bronze Cup Anchor with Removable Eye CPB

Part No.
PH-82

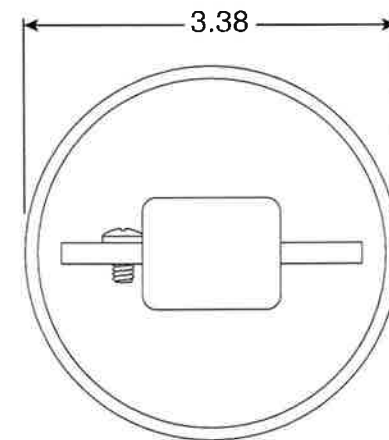
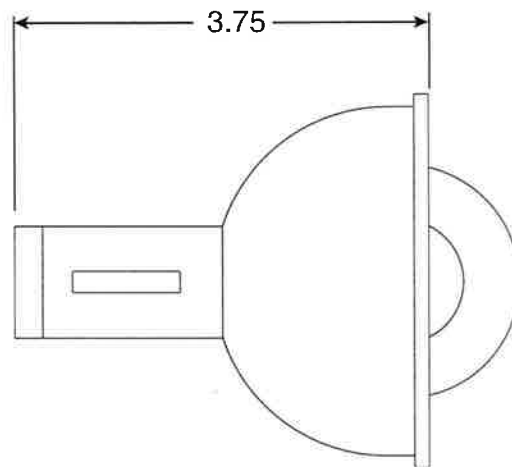
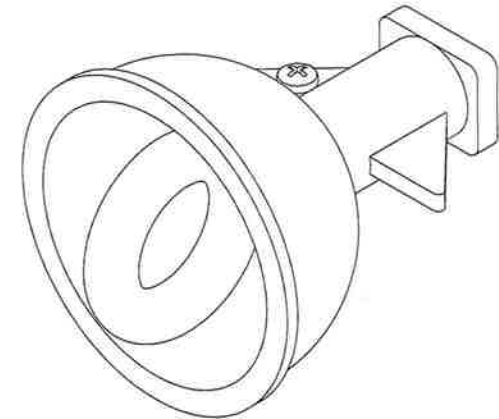
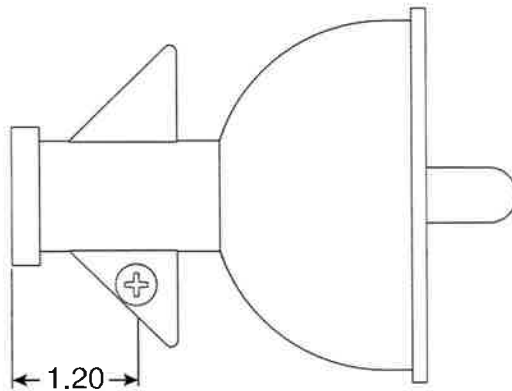
| Parts List | |
|------------|--------------------------|
| QTY | Description |
| 1 | PH-82 Cup |
| 1 | PH-82-Eye |
| 1 | PH-82-ZN |
| 1 | 1/2 Lock Washer |
| 1 | 10-24 x 3/8" Brass Screw |



PH-82-Eye



PH-82-ZN



- Chrome Plated Bronze
- Eye is Chrome Plated w/ 1/2"-13 Threads

Page 1 of 1



Perma-Cast Co. Pueblo, CO
www.permacastonline.com
Call 800-748-2770